

## BAZ15D-3

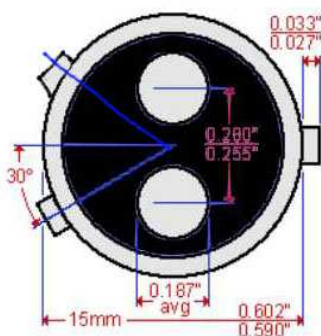
(3 locking pins) - [Click for larger image](#)

( Used on Most New Yamaha, Honda, and Suzuki Front Turn Signals)

## BAZ15d-3

Bayonet Dual Contact (DC)

Indexing Offset Pins

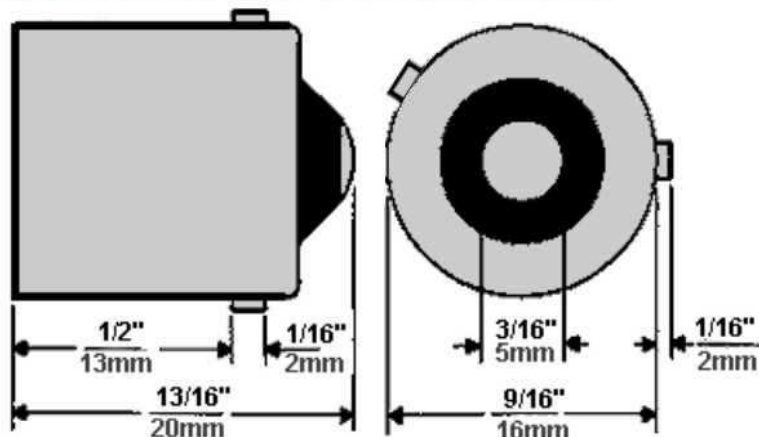


---

( Used on Most New Yamaha, Honda, and Suzuki Rear Turn Signals)

## BAU15s

Bayonet Single contact (SC)

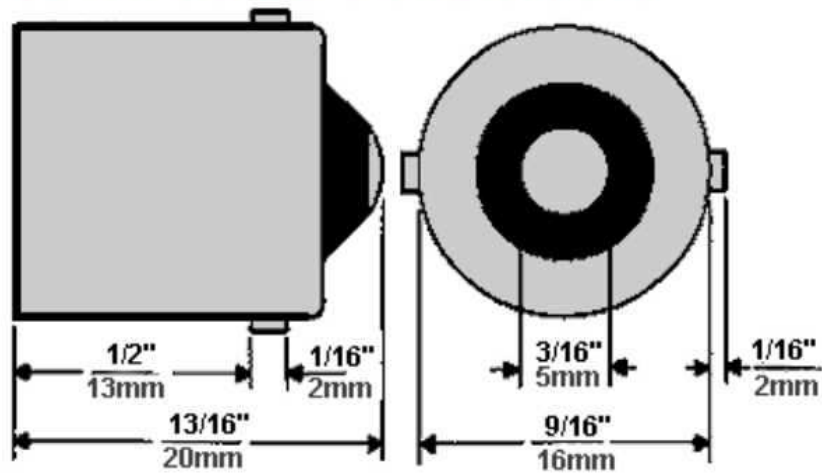


Single Intensity Offset Pins - 7507

---

# BA15s

Bayonet Single contact (SC)



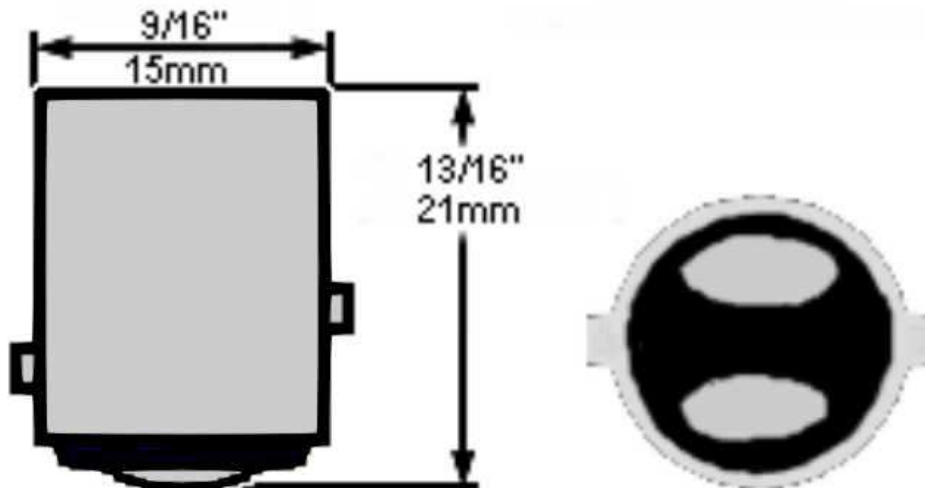
## Single Intensity 1156

1156 replaces all 1156, 1073, 1093, 1129, 1141, 1159, 1295, 1459, 1619, 1651, 1680, 3497, 7506, 7527, 5007 and 5008 bulbs.

---

# BAY15d

Bayonet Dual contact (DC)



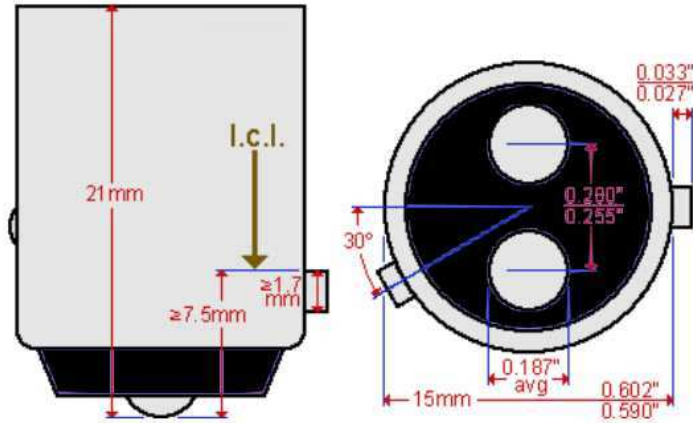
## Dual Intensity 1157

1157 replaces all 1157, 1154, 1034, 2057, 2357, 2397, 3496, and 7528 bulbs

---

# BAZ15d

## Bayonet Dual Contact (DC) Indexing Offset Pins



## Dual Intensity Offset Pins - 7225